



Pisces Engineering Ltd

"Practical solutions to Technical Problems"

Tel +44 (0)1786 870014 Fax +44(0)1786 870379 email : sales@pisces-aqua.co.uk

POLYLINE™ PPL or PVDF Filter Housings

Rugged, All Plastic Construction for Superior Corrosion Resistance

Overview

Value Added Features

- In-line or loop piping connections
- Sizes for one #01 or #02 filter bag
- Viton® seals standard
- 2" NPT threaded connections
- Maximum operating pressure of 150 psi at 70F
- Hand removable, spin off cover
- Integral installation flange
- Polypropylene plastic construction
- Plastic vent valve on cover with gauge tap
- Corrosion-resistant exterior, no coatings required
- Duplex model for continuous flow applications

Available Options

- PVDF Construction (Simplex, size 02 only, rated at 100 psi at 70F)
- 2", 150# ANSI flanged connections (standard on duplex)
- Differential pressure gauge

All-Plastic, Rugged Polypropylene or PVDF Construction for Superior Corrosion Resistance

There are no metal components to rust or corrode. The unique, one-piece molded body has no seams, welds or crevices to trap particles and is easy to clean. The cover is hand-removable without the need for tools of any kind, and features an all-plastic, built-in vent valve with integral 1/4" gauge tap. The two bottom pipe connections are interchangeable as outlet or drain, permitting easy, no modification in-line or loop piping arrangements to accommodate any installation design. For applications that require continuous flow, a duplex model is available. Here, the flow never has to shut down for bag change out. For contamination sensitive or severely corrosive filtration applications, POLYLINE is your best choice.

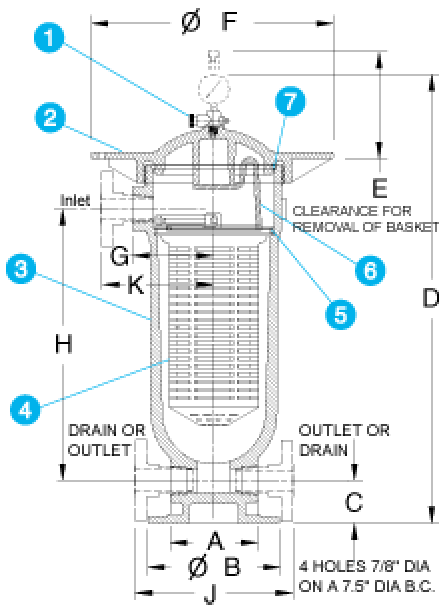
POLYLINE Duplex Filter Vessels...Never Shut Down the Flow for Bag Changeouts



A quick quarter-turn of the operating lever diverts the flow from one filter vessel to the other through the unique CPVC plastic valve assembly. The flow is never stopped, your process continues to run during bag changeouts. Automate your POLYLINE duplex filter for hands-off remote operation. Operation of the valve assembly can be controlled by either pneumatic or electric actuators from a remote location or by computer control at a cost-effective price. Installation is simplified by the integral plastic mounting skid—standard with all POLYLINE duplex filters

POLYLINE™ Filter Vessels.. a closer look

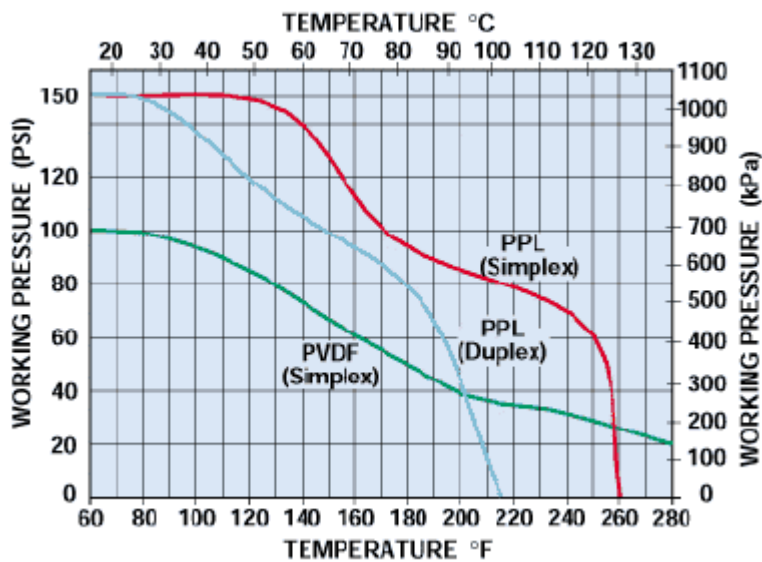
All-Plastic, Rugged Polypropylene or PVDF Construction for Superior Corrosion Resistance



POLYLINE Simplex Parts List

1. Vent valve with optional gauge
2. Cover
3. Body (polypropylene, double and single length PVDF, double length)
4. Basket
5. Viton® O-ring
6. Bag retainer
7. Viton® O-ring

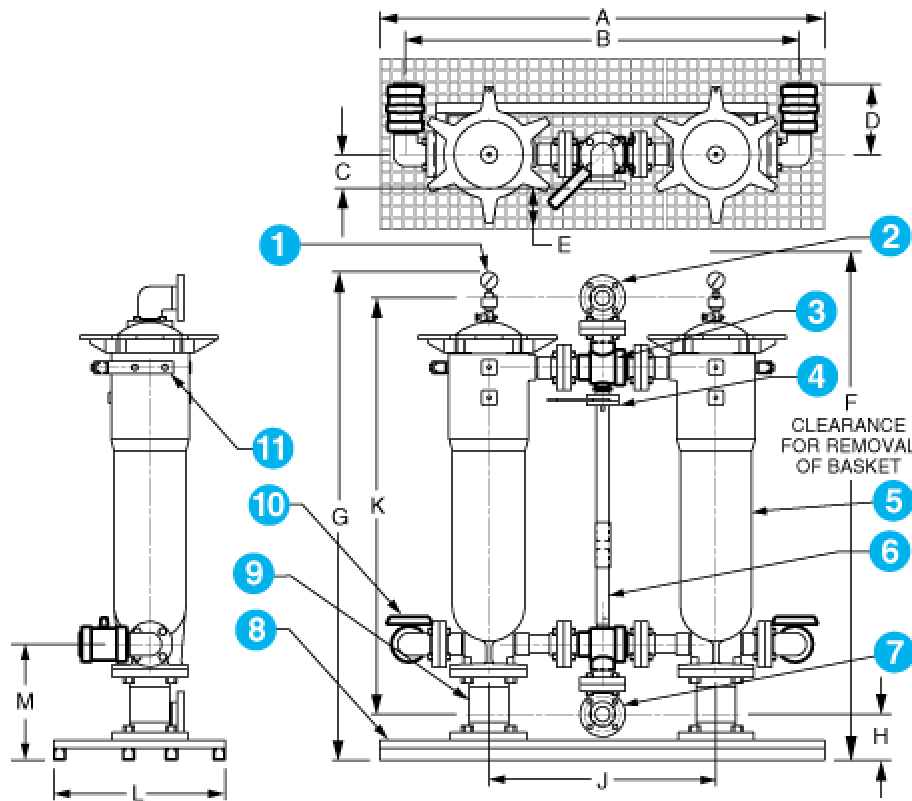
Operating Temperature/Pressure



POLYLINE Simplex Dimensions

Inches (mm)	Type No.	A	B	C	D	E	F	G	H	J	K	Weight
Single Length	PBF-0101- PO 6.5	(165)	10 (254)	3.35 (83)	34.1 (866)	20 (508)	18.3 (465)	6.13 (156)	20.6 (523)	11.5 / 292	8.75 / 222	60 lb (27 kg)
Double Length	PBF-0102- PO 6.5	(165)	10 (254)	3.35 (83)	50.1 (1273)	36 (914)	18.3 (465)	6.13 (156)	36.6 (930)	11.5 / 292	8.75 / 222	80 lb (36 kg)

POLYLINE Duplex Parts List



1. Vent valve with optional gauge
2. Inlet connection
3. Valve assembly, Corzan® CPVC
4. Lever handle
5. Filter housing, polypropylene
6. Linkage assembly
7. Outlet connection
8. Base assembly
9. Support stand
10. Drain Valve, optional
11. Differential gauge monitoring bracket, optional.

Technical Specifications

Material of Construction	Glass reinforced polypropylene, single and double length; PVDF, double length
Piping Connections	2" NPT threaded, PPL, 150# ANSI flange optional; 2", PVDF, 150# ANSI flange
Drain Connections	2" NPT threaded, PPL, 150# ANSI flange optional; 2", PVDF, 150# ANSI flange
Bag Size	#01 and #02
Pressure Rating	PPL, 150 psi; PVDF, 100 psi
Seals	Viton™, EPDM optional
Flow Rate*	Single length, 50 gpm with clean bag; double length, 100 gpm with clean bag

*Pressure differential and other factors can affect flow rate

POLYLINE Duplex Dimensions

Inches (cm)	Type No.	A	B	C	D	E	F	G	H	J	K	L	M	Weight
Single Length	PBF-0201-PO	59(150)	52(132)	4.5(11)	9.3(24)	5.5(14)	20(51)	49(123)	6.1(16)	30(76)	39(99)	23(58)	15.3(39)	162 lb (74 kg)
Double Length	PBF-0202-PO	59(150)	52(132)	4.5(11)	9.3(24)	5.5(14)	36(91)	65(164)	6.1(16)	30(76)	55(140)	23(58)	15.3(39)	190 lb (86 kg)